



COMPACT DISC PLAYER

CD-4700 PRO II

PROFESSIONAL CD PLAYER



INSTRUCTION MANUAL

MULTI LANGUAGE INSTRUCTIONS


English.....	1 ~ 5
Deutsch.....	6 ~ 10
Español.....	11 ~ 15
Français.....	16 ~ 20
Italiano.....	21 ~ 25

NOTES ON SAFE AND EFFICIENT OPERATION:

- Do not use this CD Player where the temperatures go below 41°F / 5°C or exceed 95°F / 35°C.
- Place the unit in a clean and dry location.
- Do not place the unit in an unstable location.
- When disconnecting the power cord from an AC outlet, always grasp it by the plug. Never pull the power cord.
- Never open the cabinet. If the unit is not functioning correctly, call the Gemini Service Center at (908) 969-9000.
- Do not use chemical solvents to clean the unit.
- Keep the laser pickup clean by keeping the drawer closed.
- Keep this manual in a safe place for future reference.

SAFETY CERTIFICATIONS:

Laser Diode Properties
Material: Ga - Al - As
Wavelength: 755 - 815 nm (25° C)
Laser Output: Continuous Wave
max 0.5mW

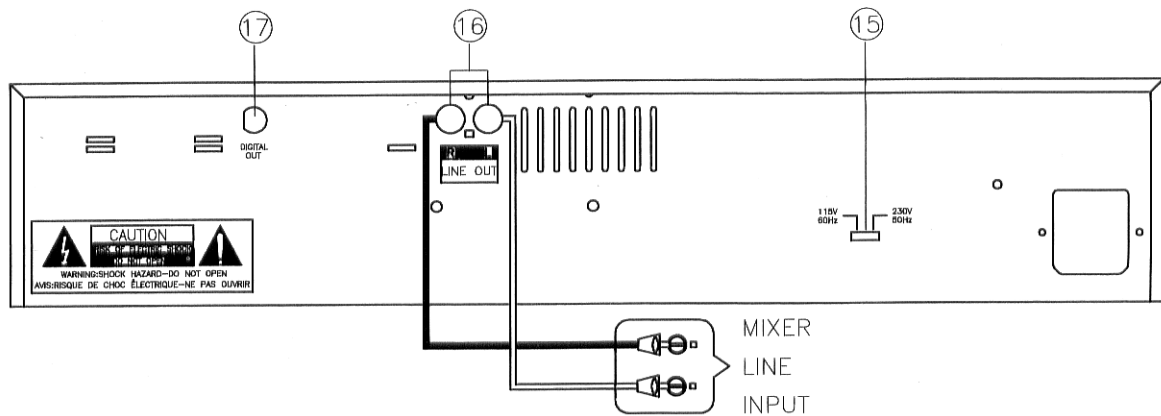
 CAUTION

To prevent electric shock, do not remove the cover or the bottom screws. There are no user serviceable parts inside. Please refer servicing to a qualified technician.

LINE VOLTAGE SELECTION:

Model CD-4700 PRO II is a dual voltage unit. It will operate at 115 or 220 volts. The unit is preset at the factory to 115 volts. To set the proper voltage follow these steps:

1. Place the head of a screw driver in the center of the **VOLTAGE SELECTOR SLIDE SWITCH (15)** found on the rear panel.
2. Slide the switch up for 115 volts or push the switch down for 220 volts.
3. Do not force or twist the switch. Excessive force may cause damage. If the switch does not move smoothly, contact a qualified technician.

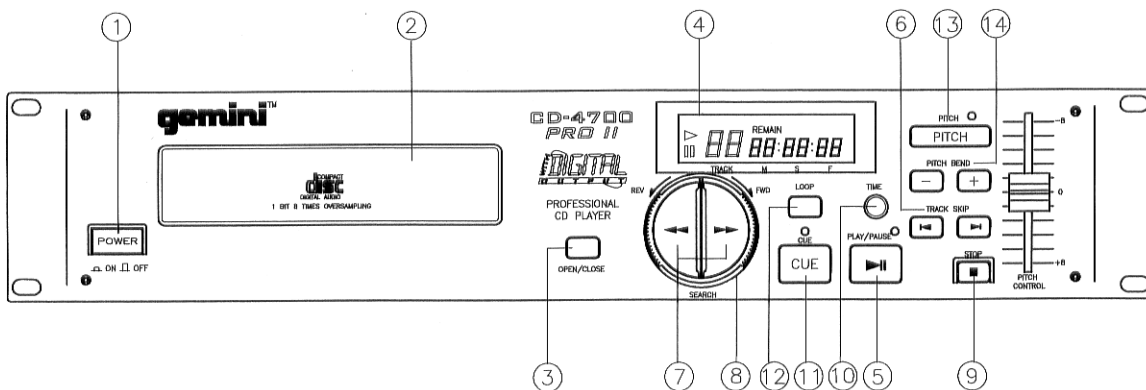


CONNECTIONS:

A typical connection with a mixer is illustrated above. Please use it as a reference.

1. Plug one end of a set of RCA connectors into the **LINE OUTPUT JACKS (16)**.
2. Plug the other end of the RCA connectors into any available line level input jacks on your mixer. If you are playing the CD-4700 PRO II through a receiver, you can plug the RCA connectors into the CD input jacks on your receiver. If there is no CD input, use AUX or any other line level (not phono).

FUNCTION DESCRIPTIONS:



1. **POWER SWITCH:** After making sure that the **VOLTAGE SELECTOR SLIDE SWITCH (15)**, found on the rear panel, is properly set, plug the unit in and press the **POWER SWITCH (1)**. The unit will turn on. Pushing the **POWER SWITCH (1)** a second time will turn the unit off.
2. **DISC TRAY:** The **DISC TRAY (2)** is where the CD is held during loading, unloading and playback. Pressing the disc tray **OPEN/CLOSE BUTTON (3)**, will open or close the tray. The **DISC TRAY (2)** holds both 12 cm and 8 cm CDs. **NOTE:** If the CD-4700 PRO II is in the play mode, the tray will not open.
3. **OPEN/CLOSE BUTTON:** Press the **OPEN/CLOSE BUTTON (3)** to load or remove a CD from the **DISC TRAY (2)**.
4. **DISPLAY:** The **DISPLAY (4)** shows the track number, play mode, pause mode, and 3 different time displays. These time displays are time elapsed on the track, time remaining on the disc and time remaining on the track.
5. **PLAY/PAUSE:** Each press of the **PLAY/PAUSE BUTTON (5)** causes the operation to change from play to pause or from pause back to play. See the CUE INSTRUCTIONS section for more information.
6. **TRACK SKIP:** The **TRACK SKIP BUTTONS (6)** let you select the track to play.
7. **SEARCH BUTTONS:** The **SEARCH BUTTONS (7)** are used to accurately position the disc at the point where you wish the track to start playing. This position on the track is memorized as the cue point. Each push of the **SEARCH BUTTONS (7)** will put the CD unit in the pause mode and will move the memorized cue point 1 frame (1/75th second). See the CUE INSTRUCTIONS section for more information.
8. **SEARCH DIAL:** Use the **SEARCH DIAL (8)** to select the scanning direction and speed. Turning the dial in the clockwise direction will scan forward and counter clockwise will scan in reverse. The scanning speed increases as the dial is turned further. The **SEARCH DIAL (8)** will not change the cue point and will not bring the unit to the pause mode.
9. **STOP:** The **STOP BUTTON (9)** will end the playing of the CD.
10. **TIME:** The **TIME BUTTON (10)** switches the time display between the three available choices listed under # 4 (DISPLAY).
11. **CUE:** With the unit in the play mode (play/pause LED glows green), and after using the **SEARCH BUTTONS (7)** to memorize the cue point, pressing the **CUE BUTTON (11)** will cause the CD player to enter the pause mode (play/pause LED blinks green) at the memorized cue point (the cue LED glows yellow). If the cue point was not memorized, the unit will return to the beginning of the track. Holding down the cue button changes the cue function to preview (allowing you to hear the music play at whatever tempo you adjusted to by holding the cue button down). Releasing the cue button returns you to the preset cue point.
12. **LOOP:** After the cue point is memorized, pressing the **LOOP BUTTON (12)** in the play mode, (the cue LED blinks yellow), repeats the section between the cue point and the point where the **LOOP BUTTON (12)** was pressed (there will be a small space between the end and the restart of the loop).
13. **PITCH:** Pushing the **PITCH BUTTON (13)** activates the pitch section of the unit (pitch LED glows red). The pitch of the CD will change according to the position of the **PITCH CONTROL (13)**. Pushing the **PITCH BEND BUTTONS (14)** will gradually raise or lower the pitch without changing the slide setting.

Releasing the buttons will return the pitch to the slide setting. Maximum pitch deviation is +/- 8 %.

17. **DIGITAL OUTPUT JACK:** Connecting any type of **DAT, MD, HARD DRIVE**, or other such items which accept digital signals into the **BNC** connector on the rear panel of the transports allows you to receive a digital signal from CD.

OPERATING INSTRUCTIONS:

1. Make sure that the **VOLTAGE SELECTOR SLIDE SWITCH (15)**, found on the rear panel, is set for the proper voltage. Plug the unit in and press the **POWER SWITCH (1)**. The unit will turn on. Pushing the **POWER SWITCH (1)** a second time will turn the unit off.
2. Press the **OPEN/CLOSE BUTTON (3)**, place a CD in the **DISC TRAY (2)** and press the **OPEN/CLOSE BUTTON (3)** again. The tray will close into the unit. The display will initially show the number of tracks and the total time of the CD and the unit will be in the pause mode (play/pause LED blinks green). When the display shows track number 1 and time of 00:00, the unit is ready to use.
3. Push the **TRACK SKIP BUTTONS (6)** to select the track you want to play.
4. Press the **PLAY/PAUSE BUTTON (5)** and the unit will instantly play.

CUE INSTRUCTIONS:

To start the play at a point other than the beginning of a track, follow these instruction.

1. To memorize the approximate spot at which you want play to start , select the proper track, and then push the **PLAY/PAUSE BUTTON (5)** so the unit goes into the play mode (play/pause LED will glow green). Listen to the CD and when the CD gets to the approximate spot, push either of the **SEARCH BUTTONS (7)**. The unit will go into the pause mode (play/pause LED will blink green) and the location indicated on the display will be the memorized cue point.
2. To fine tune the memorized cue point, push the **PLAY/PAUSE BUTTON (5)** so the unit goes into the play mode (play/pause LED glows green) and listen carefully to the starting point. Push the **CUE BUTTON (11)** and the unit will enter the pause mode (play/pause LED blinks green) and the CD will reposition at the previously memorized cue point. If you decide that this point is okay, leave the unit alone until you are ready to play it. At that time push the **PLAY/PAUSE BUTTON (5)**. The unit will instantly play from the spot selected. If the selected spot is not where you want it, with the unit in the play mode, simply push the **CUE BUTTON (11)**. The unit will go back to the previously selected spot, and enter the pause mode. By pressing either the left or right **SEARCH BUTTONS (7)** you can hear and move the cue point forward or backward. After you have located the spot, play the CD and listen to the start. If it's still no good, push the **CUE BUTTON (11)** and try again. The memorized cue point will always be the last location after using the **SEARCH BUTTONS (7)**.

TROUBLE SHOOTING:

If the disc will not play, check to see if the disc was loaded correctly (written side up). Also check the disc for excessive dirt , scratches, etc.

If the disc turns but there is no sound, check the cable connections. If they are okay, check your amplifier or receiver.

If the CD skips, check the CD for dirt or scratches. Do not assume that the CD player is defective. Many CDs are recorded out of spec and will skip on most or all CD players. Before sending the unit in for repair, try playing a CD that you are sure plays properly.

SPECIFICATIONS:

GENERAL:

Type: Single Mechanism Compact Disc Player.
Disc Type: Standard Compact discs (12 cm & 8 cm).
Time Display: Track Elapsed, Track Remain, or Total remain.
Variable Pitch: +/- 8% Slider with Resume Switch.
Pitch Bend: +/- 8% Maximum.
Instant Start: Within 0.03 seconds.
Track Selection: 1 to 99 Tracks.
Installation: 19" Rack Mountable, 2 U.

AUDIO SECTION:

Quantization: 1 Bit Linear/Channel, 3 Beam Laser.
Oversampling Rate: 8 Times.
Sampling Frequency: 44.1 KHz.
Frequency Response: 20 to 20 KHz.
Digital Output: IEC958
Total Harmonic Distortion: Less Than 0.05%.
Signal to Noise Ratio: 104 dB.
Dynamic Range: 98 dB.
Channel Separation: 90 dB (1 KHz).
Output Level: 1.9 Volts R.M.S.
Power Supply: AC 120/230V, 50/60 Hz.
Dimensions: 19" (W) x 3 1/2" (H) x 10" (D).
Weight: 9.3 lbs (4.2 Kg).

* Specifications and design are subject to change without notice for purpose of Improvement.